



4 Channel Relay with Intrinsicly Safe Inputs

IS_-R

Specifications

Electrical

Supply Voltage: 24, 120 & 240VAC ±10%

Power: 2VA

Inputs: Switch Closure

or Probe (Conductivity)

Input Sensitivity: 3K - 1.5MΩ

Pick-up & Drop-out Delays: 1 second

Max. Open Circuit Voltage: 5 volts AC

Max. Source Current: 0.1 milliamp AC

Output Rating @ 25°C:

5 Amps or 100VA per contact

10 Amps total

250VAC maximum contact rating

10,000,000 Mechanical Cycles

Physical

Mounting: Din Rail mount

Termination: Touch safe screw terminals, with lift mechanism, #12 AWG max. for supply and relay contacts, #16 AWG max. for intrinsically safe inputs.

Weight: 10 Oz.

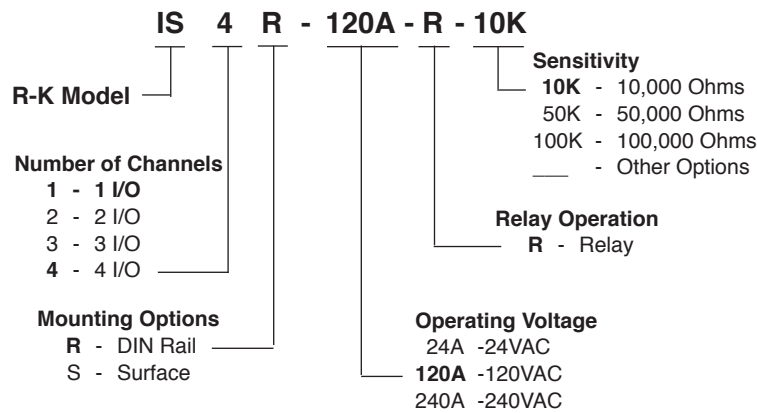
Ambient Temperatures

Operating: 0°C to 50°C

Storage: -40°C to 85°C

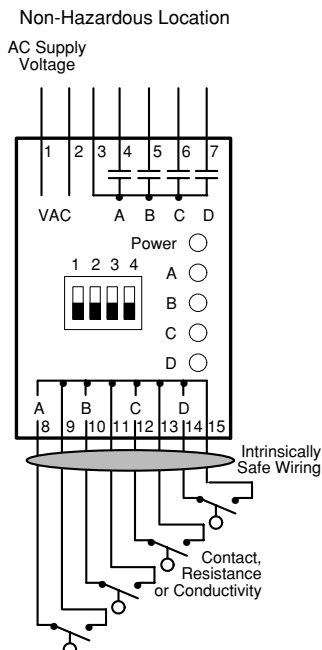


Ordering Information

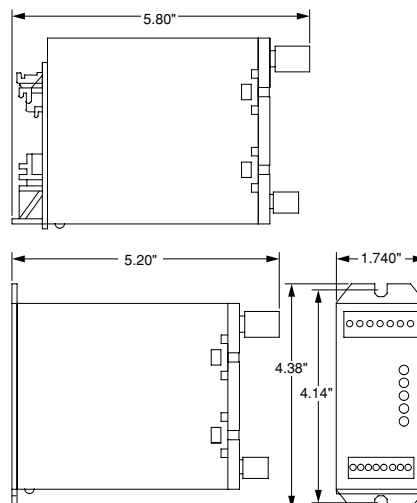


- 1, 2, 3, or 4 Channels
- Shorted Input Sensing
- Open Input Sensing
- Outputs Isolated from Supply
- Contact or Probe Inputs
- Conductivity or Resistance Inputs
- Output and Input LED Indication
- Independent Operation
- Pluggable Terminal Blocks
- Din or Surface Mount
- 24 to 240VAC Supply

Connections



Dimensions



UL913
Class I, Division 1
Groups A, B, C & D

Operation

Independent Channel Relay

Supply voltage must be applied to the IS_-R relay during operation. The IS_-R can have 1, 2, 3 or 4 channels. When IS input #1 closes its LED changes and #1 output contact closes. When IS input #1 opens #1 output contact opens. Each channel operates independent of the other channels. LED indicators are:

Red - When the IS input is open or high
Green - When both the IS input & output contact are closed

Flashes - During transition delay

A green LED indicates when supply voltage has been applied to the IS_-R.